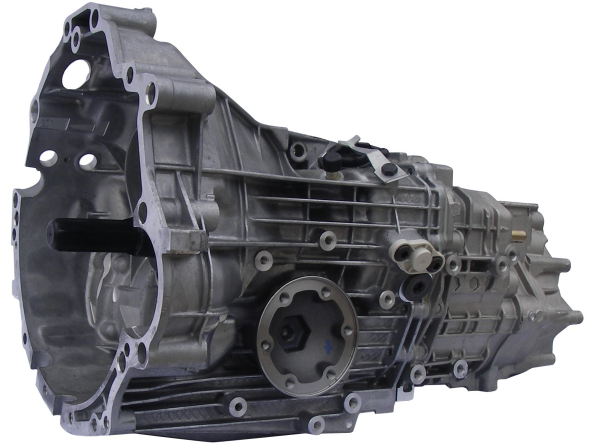
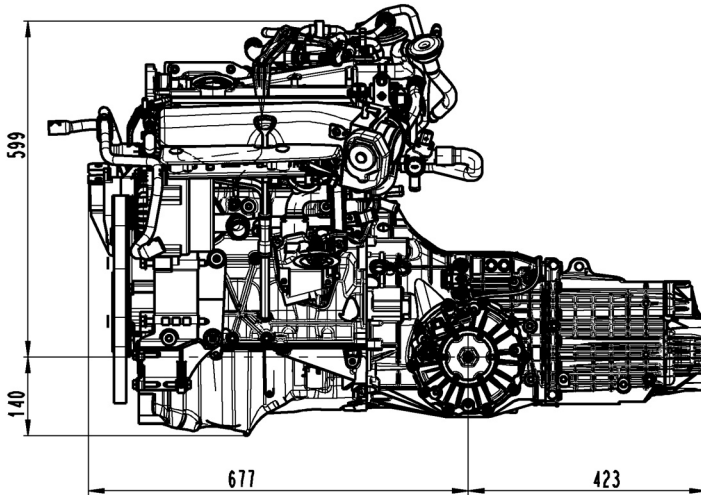


# Our Products



## 5 Speed Transaxle Transmission



### Gear Ratios for 012 300 062G

1st Gear ratio	3.50	5th Gear ratio	0.84
2nd Gear ratio	2.12	Reverse gear ratio	3.44
3rd Gear ratio	1.43	Final Drive ratio	3.75
4th Gear ratio	1.09	Differential type	Open

### Volkswagen Group Transmissions

If it is the reliable transmission of power to the road you are looking for - Volkswagen Group has a wide range of transmissions that are used in their vehicles. As you would expect from Volkswagen Group they are all built to exacting standards with high quality a prerequisite. Available in 5 or 6 speed transverse or transaxle configurations they could be the perfect match for your project or supplied as a drivetrain with one of our engines.

Suitable for use with  
1.8 Turbo engine

**VOLKSWAGEN**  
Powersystems & Components

### Contact Details

Marshall's Industrial Ltd.  
Beadle Estate  
Hithercroft Road  
Wallingford  
Oxfordshire  
OX10 9DG  
UK

Telephone: +44 (0)1491 834666  
Facsimile: +44 (0)1491 839777  
Email: [sales@mi-uk.com](mailto:sales@mi-uk.com)  
[mi-uk.co.uk](http://mi-uk.co.uk)