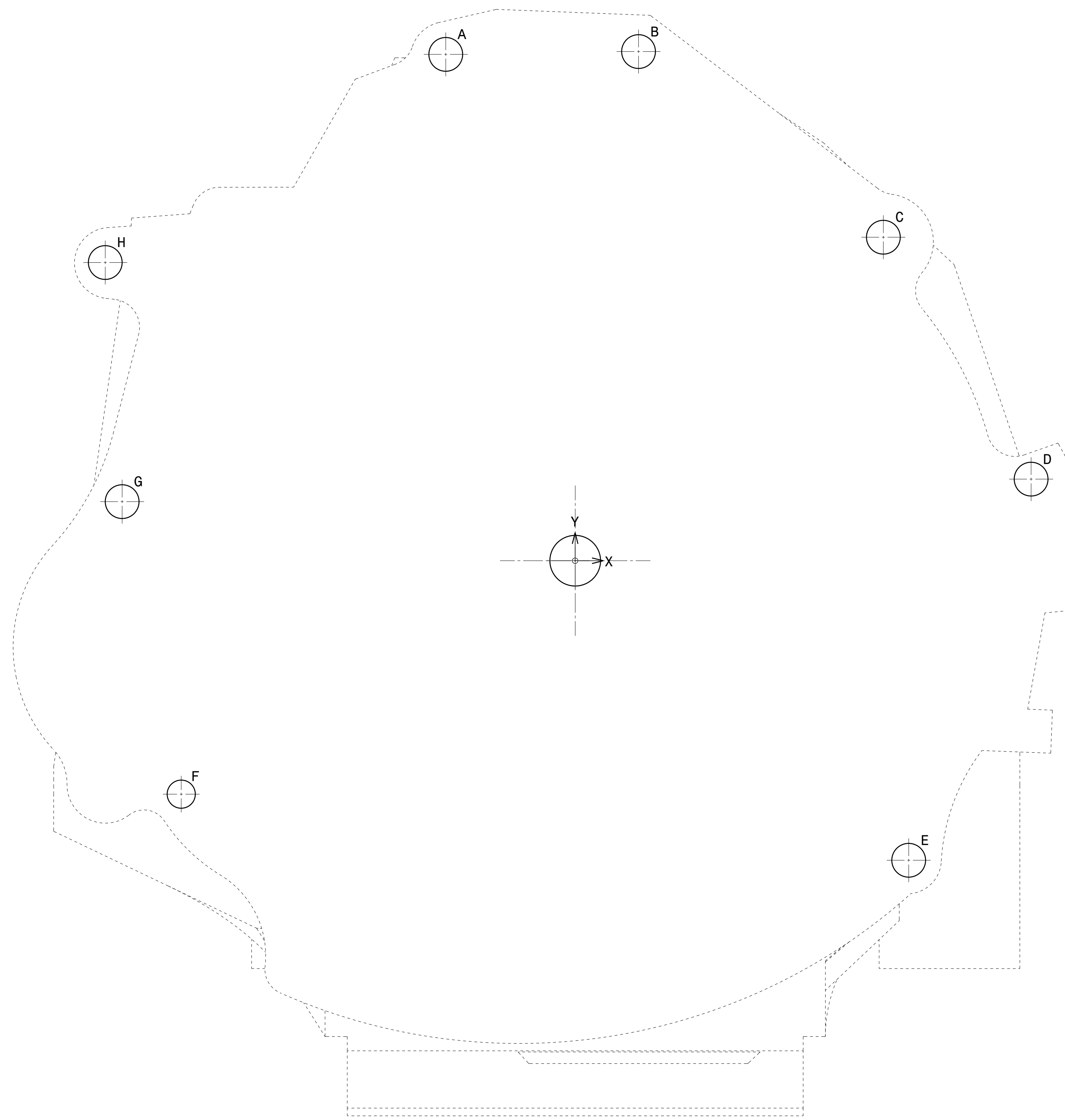


P O N M L K J I H G F E D C B A


8 7 6 5 4 3 2 1

P O N M L K J I H G F E D C B A



Front view
Scale: 1:1

Bolt Hole Pattern			
REF.	X	Y	Diameter
A	-46	180	12
B	22.5	181	12
C	109.5	115	12
D	162	29	12
E	118.5	-106.5	12
F	-140	-83	10
G	-161	21	12
H	-167	106	12

<small>THIS DRAWING AND THE INFORMATION CONTAINED IN IT IS THE PROPERTY OF NASTY BOB RACING AND MUST NOT BE COPIED OR CIRCULATED WITHOUT THE PRIOR AUTHORITY OF NASTY BOB RACING</small>		 <small>WWW.NB-RACING.CO.UK</small>	
DRAWN BY ROB HOUSE		DATE	
CHECKED BY		DATE	
TOLERANCE (U.O.S.)		SCALE 1:1 MATERIAL	
DRAWING TITLE AUDI 012 BELLHOUSING PATTERN		SIZE A1	DRAWING NUMBER
		REV 1	SHEET 1/1